

Operator Maintenance on Leveling Equipment



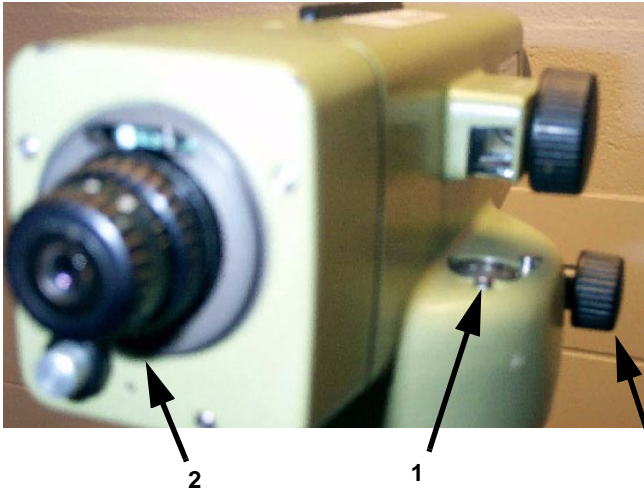
March 2002
Headquarters, Department of the Army

This graphic training aid (GTA) is to be used with the manufacturer's manual. Testing and adjustment procedures for leveling equipment are described in Technical Manual (TM) 5-441, Sections 7-12.

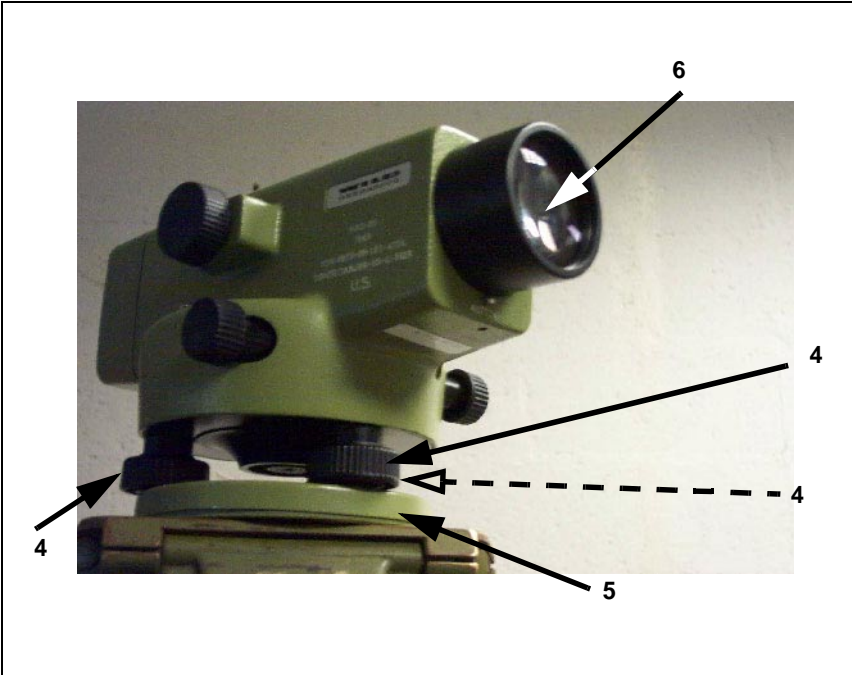
Any deficiencies requiring repair, disassembly, or lubrication of the instrument or accessories will be noted on Department of the Army (DA) Form 2404 and reported to organizational maintenance.

DISTRIBUTION: United States (US) Army Training Support Centers (TSCs).

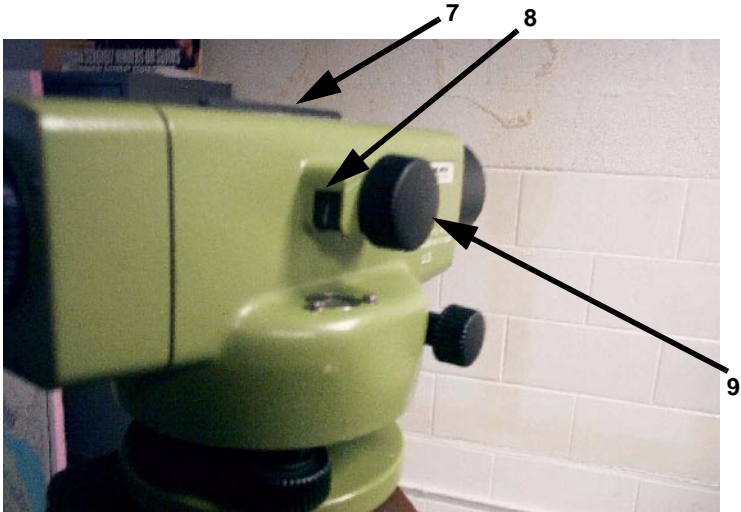
DISTRIBUTION RESTRICTION: Approved for public release.



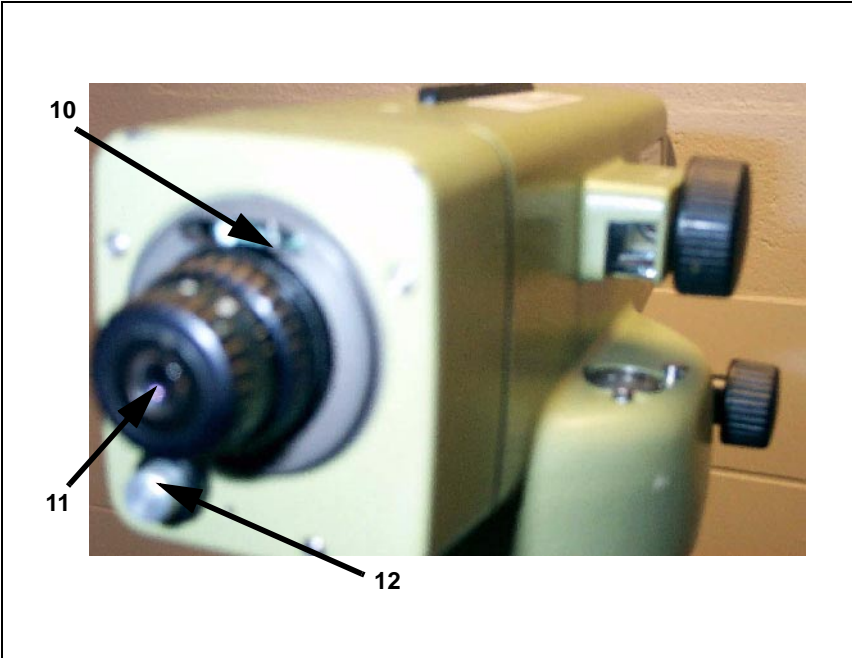
ITEM	DESCRIPTION	PROCEDURES
1	Circular level	Inspect the housing for dents, cracks, and breaks. Inspect the lens for cracks or chips.
2	Eyepiece focus knob	Inspect for smooth operation.
3	Tangent screw	Check that when finger tight, the instrument head will not rotate. Check that when loosened, the instrument head will rotate smoothly. Inspect the cap for cracks or wear.



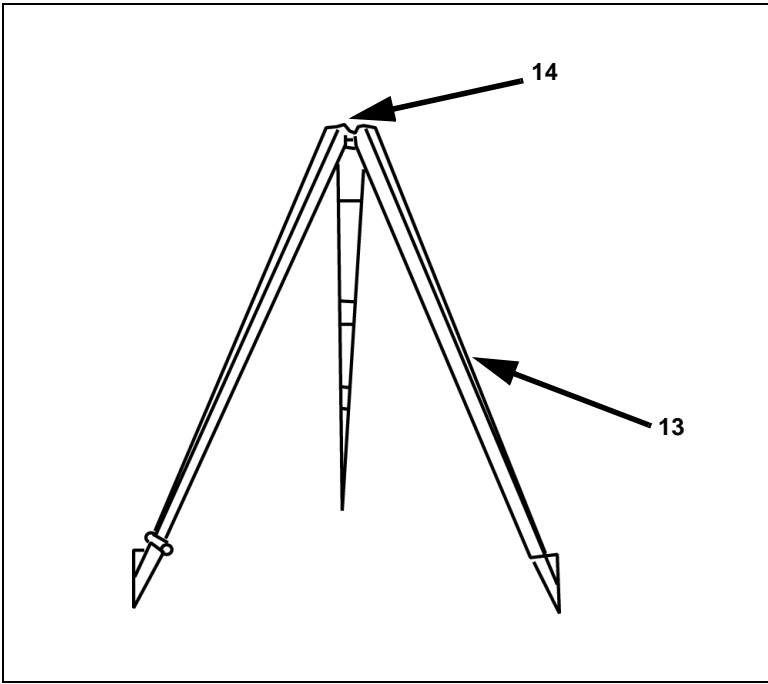
ITEM	DESCRIPTION	PROCEDURES
4	Leveling screws (3)	Inspect for bends, cracks, or stripped threads.
5	Leveling head	Inspect for cracks or stripped threads.
6	Objective lens	Inspect for chips or cracks.



ITEM	DESCRIPTION	PROCEDURES
7	Aiming sights	Inspect for cracks or breaks.
8	Level dial viewer	Visually inspect the level dial for chips or cracks.
9	Focus control	Inspect for smooth operation.



ITEM	DESCRIPTION	PROCEDURES
10	Horizontal crosshair adjustment screw	Inspect for loose or missing screws.
11	Telescope eyepiece	Inspect for dust, cracks, or chips.
12	Automatic compensator button	Inspect for damage.



ITEM	DESCRIPTION	PROCEDURES
13	Tripod legs	Inspect the legs for splinters, cracks, or breaks. Inspect the mounting hardware for damage.
14	Tripod head	Inspect the head for cracks and breaks. Inspect the fastener, spring, and plate for damage.
15	ACCESSORIES Sun shield (2)	Inspect for cracks or bends.